

NOTES:

1. KERB HEIGHTS AT CROSSOVERS MAY REQUIRE LOCALISED LOWERING TO FACILITATE ACCESS. CONFIRM ALL KERBING SETOUT WITH SHIRE REPRESENTATIVE PRIOR TO POURING OF CONCRETE.
2. EXTENT OF CORRECTOR AND ASPHALT OVERLAY WORKS TO BE CONFIRMED WITH SHIRE REPRESENTATIVE PRIOR TO COMMENCEMENT.
3. CONTRACTOR TO REPLACE ALL LINEMARKING INCLUDING PARKING BAYS.

LEGEND

- - - MOUNTABLE KERB
- - - SEMI MOUNTABLE KERB
- - - BARRIER KERB
- 30mm THICK SMA OVERLAY

REV	DATE	ISSUE DESCRIPTION	DRAWN	DESIGN	CHECK
A	6/4/20	ISSUED FOR TENDER	KJB	IDC	IDC

**TENDER
NOT FOR CONSTRUCTION**

© COPYRIGHT
This document and the copyright contained in this document is the property of Baker Drafting Solutions and must not be used, copied, reproduced, modified, adapted or developed wholly or in part without the prior written consent of Baker Drafting Solutions.



**DIAL BEFORE
YOU DIG**
www.1100.com.au

DISCLAIMER
ALL DIMENSIONS TO BE CHECKED ON SITE BY CONTRACTOR PRIOR TO CONSTRUCTION.
USE WRITTEN DIMENSIONS ONLY. DO NOT SCALE. NOT FOR CONSTRUCTION UNLESS
STAMPED BY CERTIFYING AUTHORITY




PROJECT
**UDUC ROAD AND HINGE ROAD
HARVEY WA**

DRAWING TITLE
**PROPOSED ROAD WORKS
SHEET 1 OF 3**

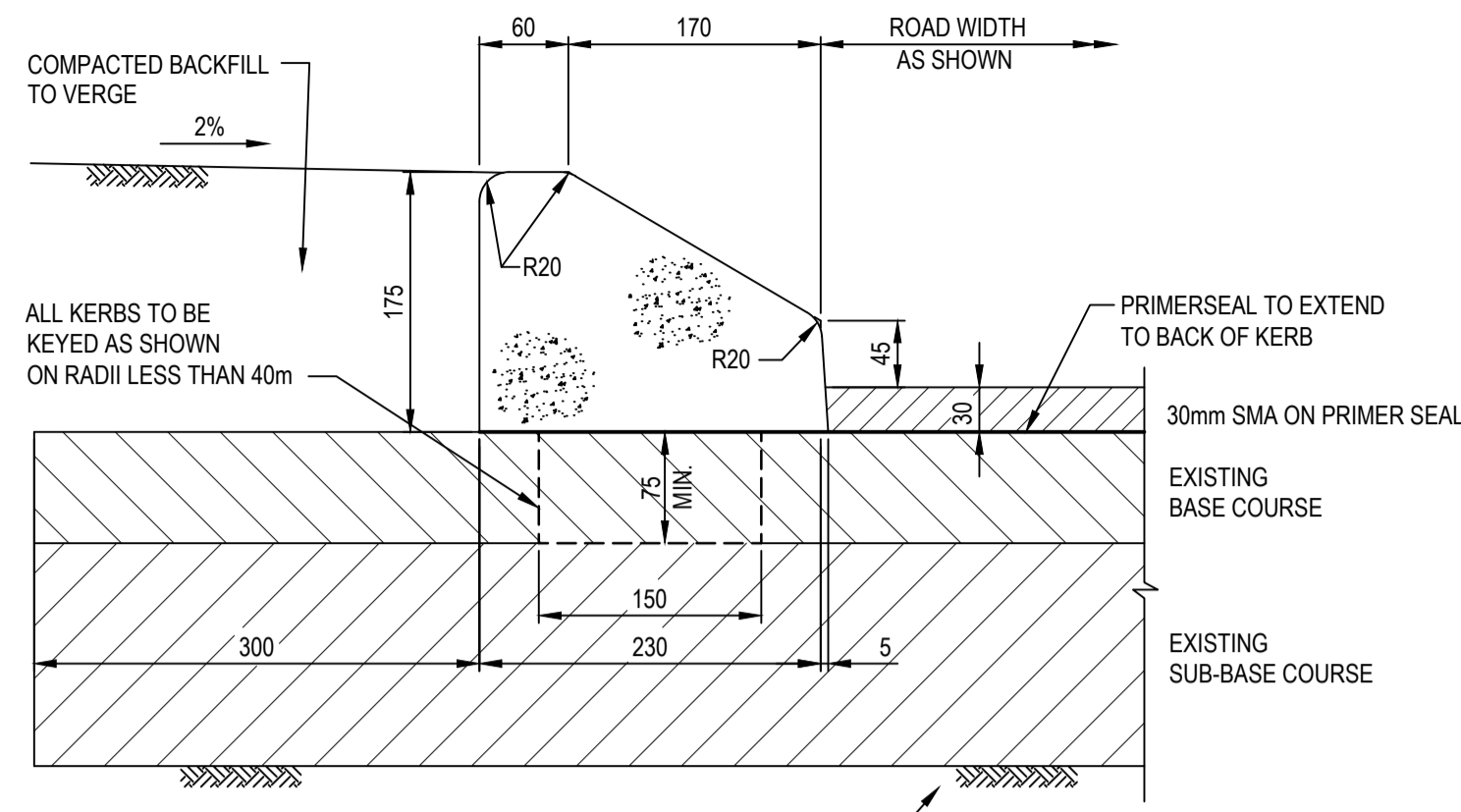
PLAN NUMBER
20-004 301

REVISION
A

SCALE 1:500

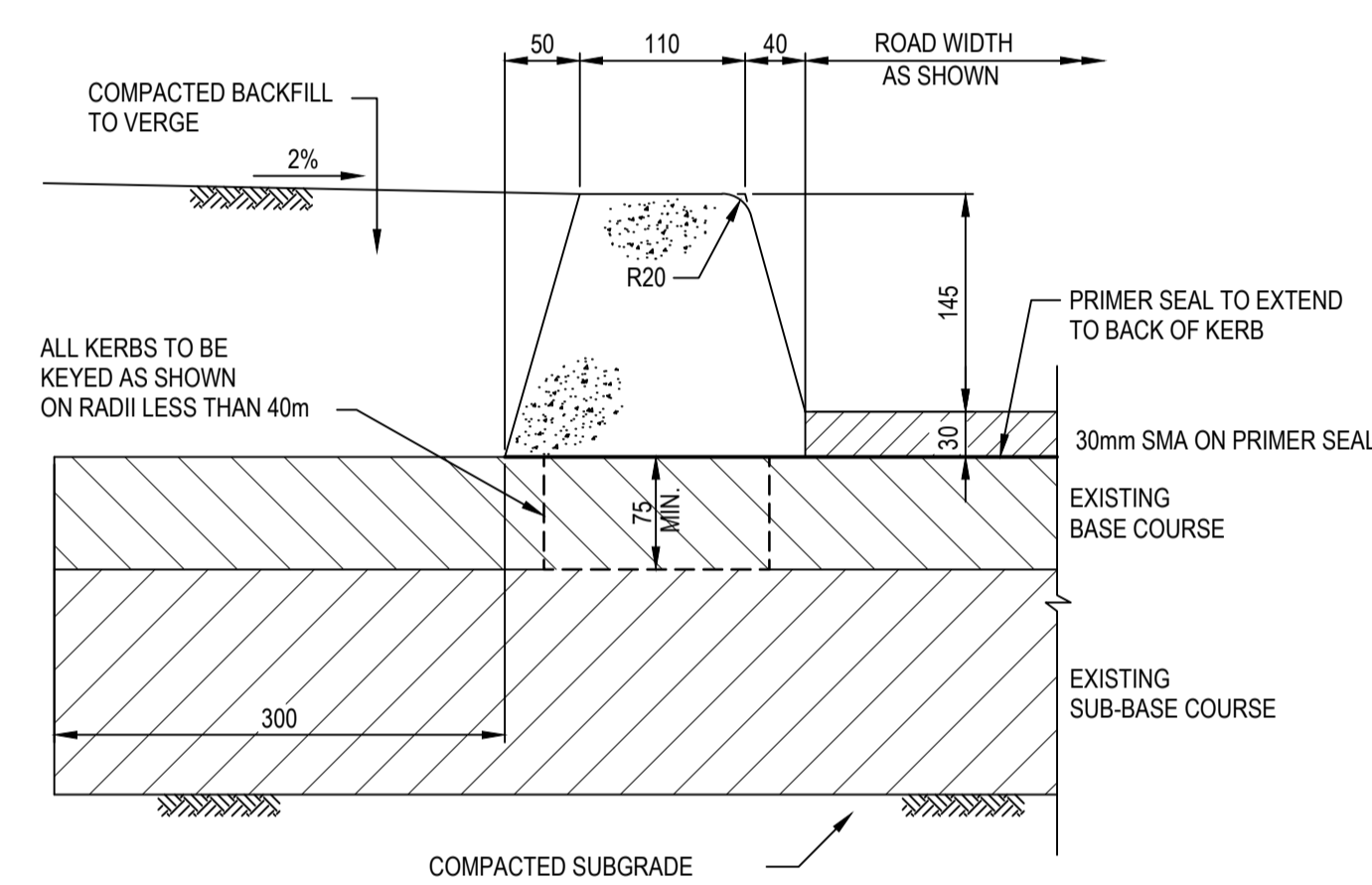


STATUS	PROJECT	DRAWING TITLE
TENDER NOT FOR CONSTRUCTION	UDUC ROAD AND HINGE ROAD HARVEY WA	PROPOSED ROAD WORKS SHEET 1 OF 3
© COPYRIGHT	PLAN NUMBER	REVISION
<small>This document and the copyright contained in this document is the property of Baker Drafting Solutions and must not be used, copied, reproduced, modified, adapted or developed wholly or in part without the prior written consent of Baker Drafting Solutions.</small>	20-004 301	A

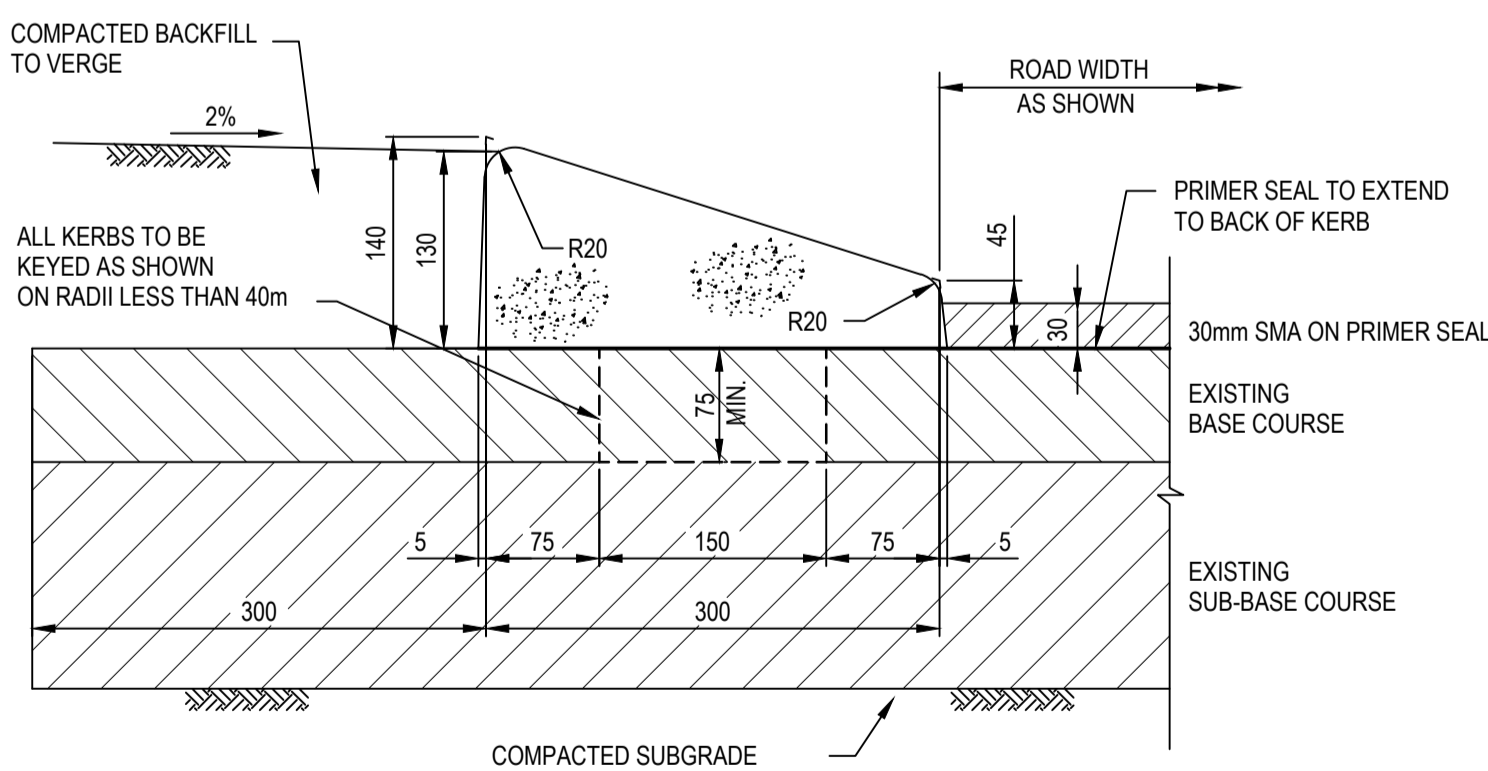


SEMI-MOUNTABLE KERB DETAIL - SMK
1:5

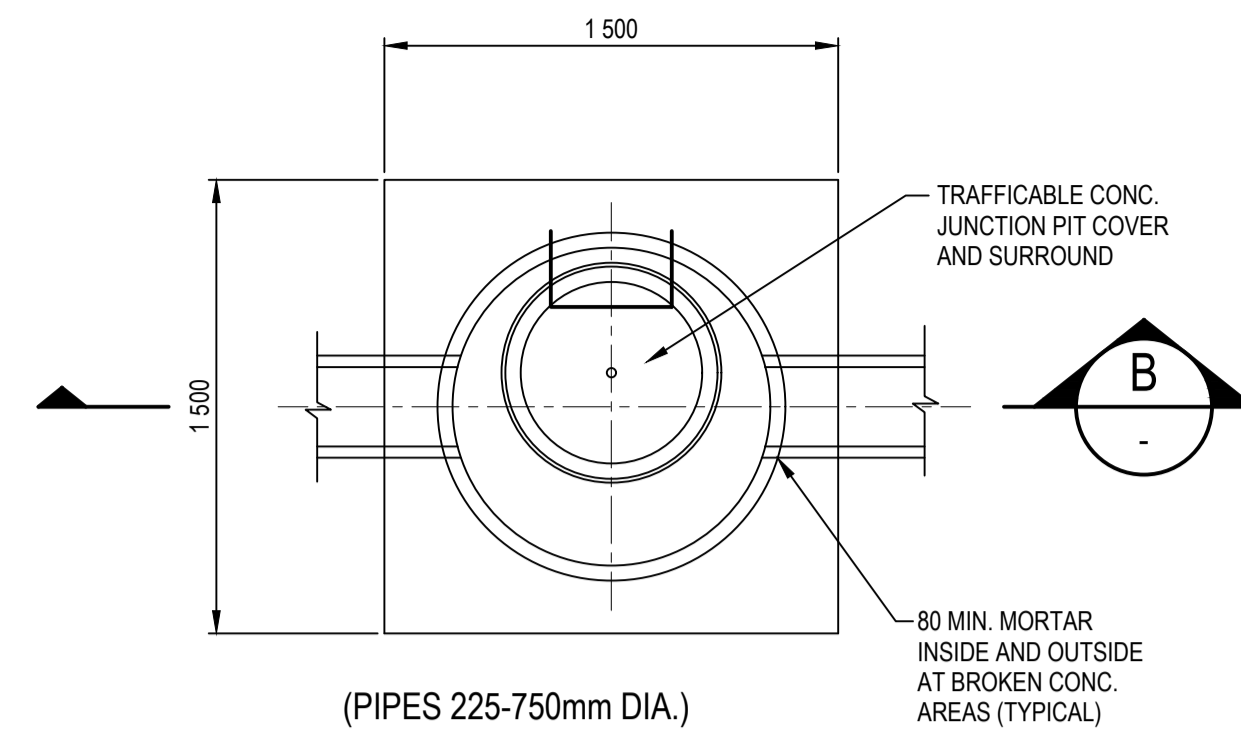
ALL KERB RADII TO BE KEYED



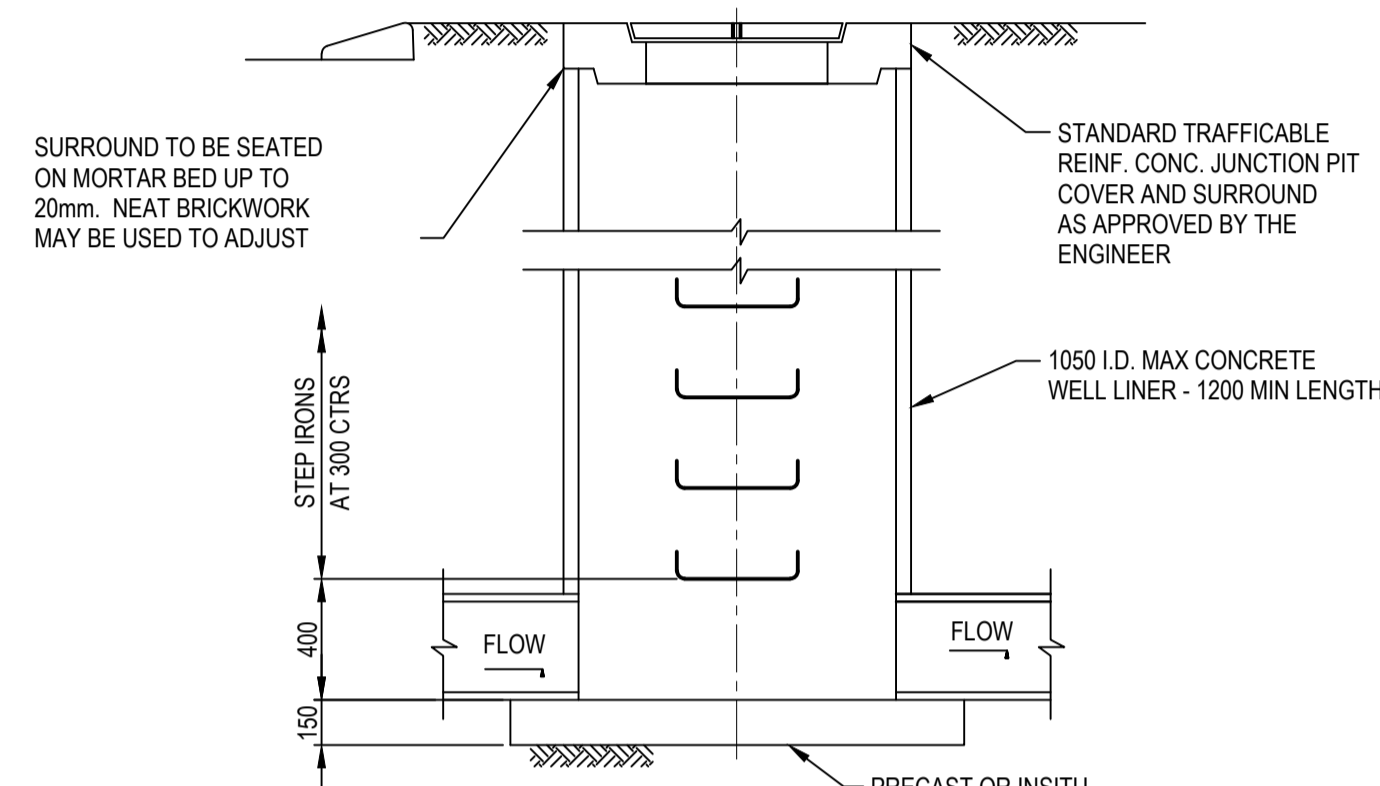
BARRIER KERB DETAIL - BK
1:5



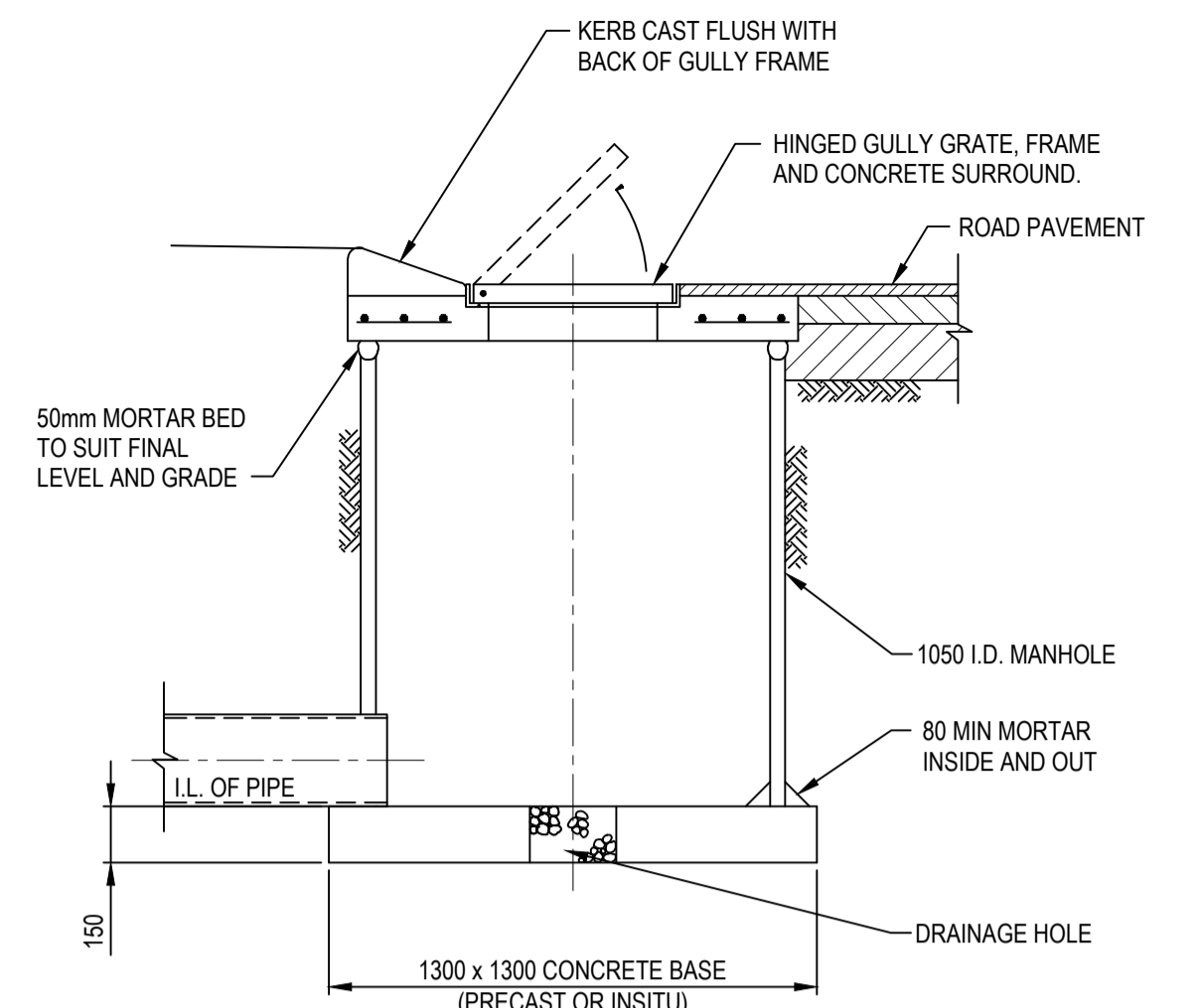
MOUNTABLE KERB DETAIL - MK
1:5



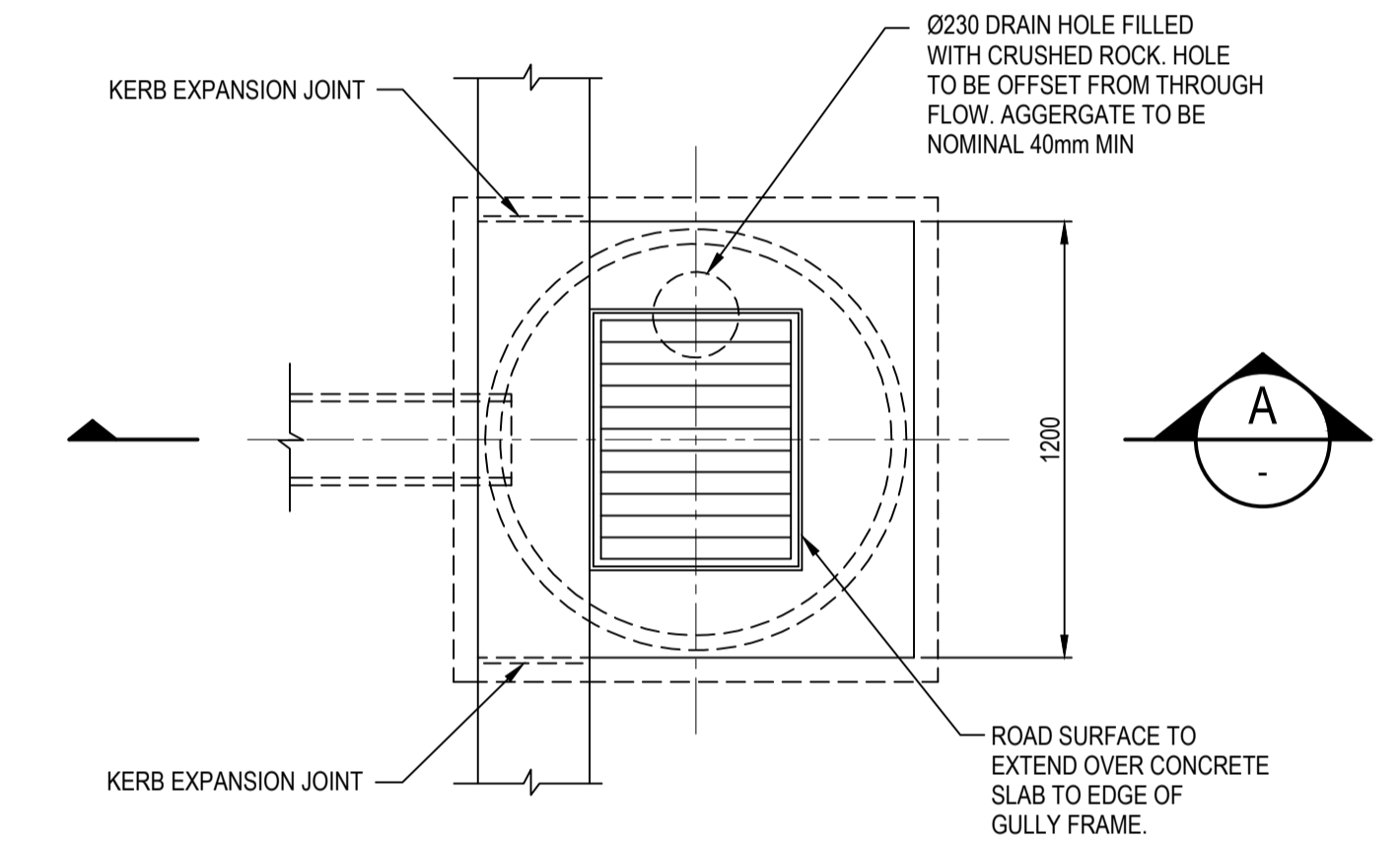
(PIPES 225-750mm DIA.)
JUNCTION PIT DETAIL - PLAN
1:25



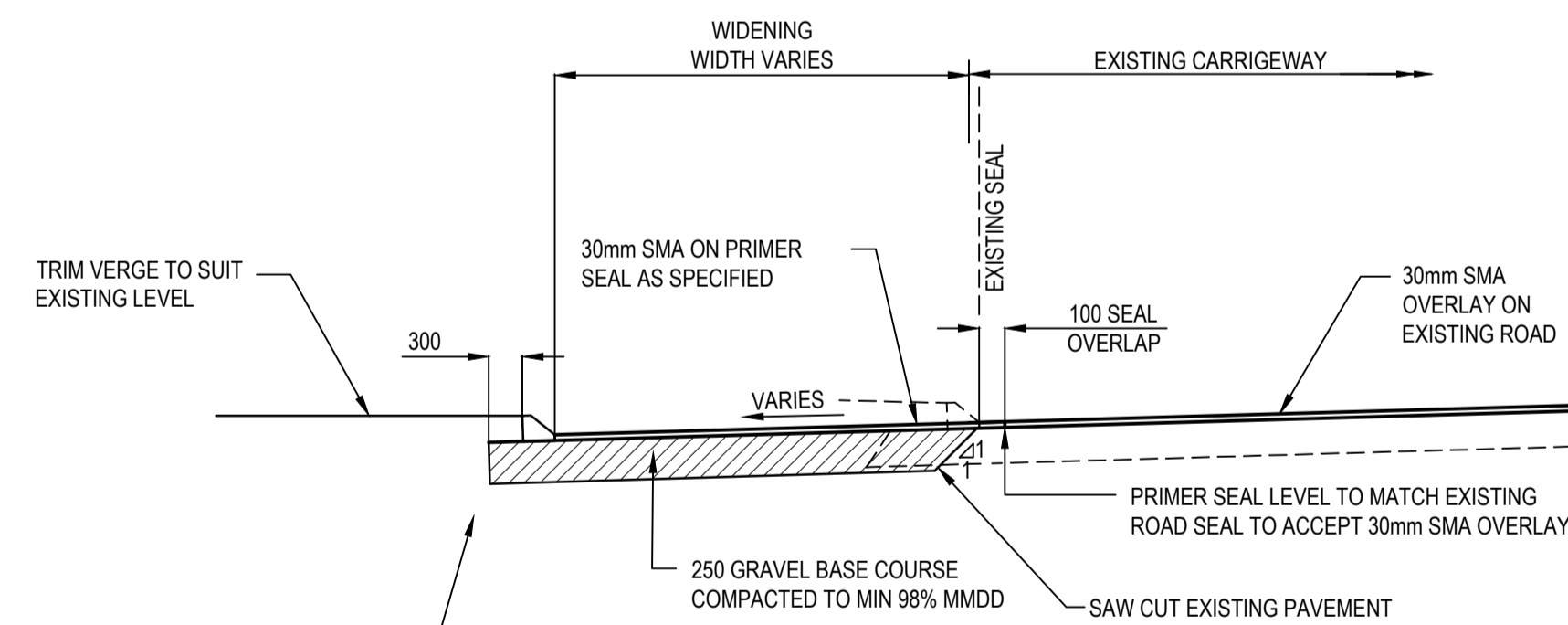
SECTION B
1:25



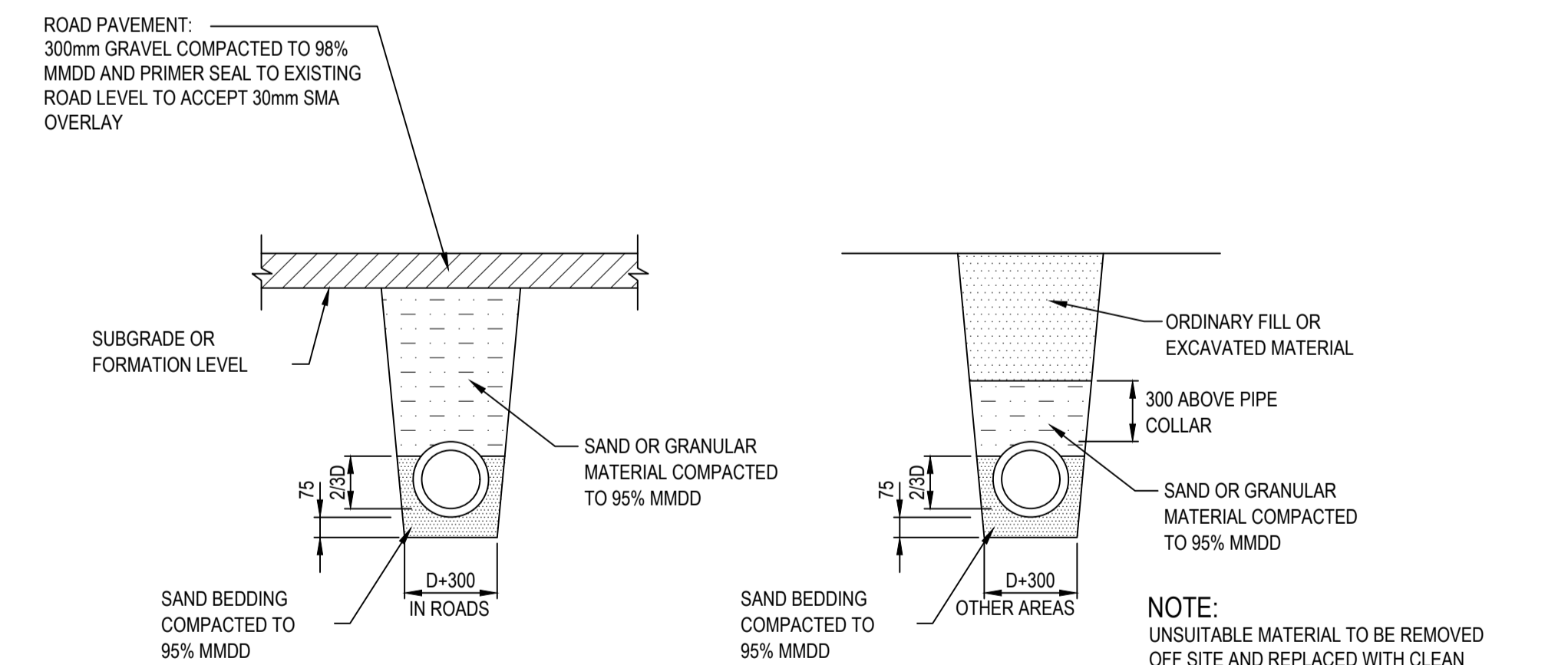
SECTION A
1:20



GRATED PIT DETAIL
1:20



LARSEN COURT - ROAD WIDENING
NTS



DRY TRENCH CONDITIONS

EARTH PIPE BEDDING DETAILS
NTS

REV	DATE	ISSUE DESCRIPTION	DRAWN	DESIGN	CHECK
A	6/4/20	ISSUED FOR TENDER	KJB	IDC	IDC

STATUS
TENDER
NOT FOR CONSTRUCTION

© COPYRIGHT
This document and the copyright contained in this document is the property of Baker Drafting Solutions and must not be used, copied, reproduced, modified, adapted or developed wholly or in part without the prior written consent of Baker Drafting Solutions.

DIAL BEFORE YOU DIG
www.1100.com.au

DISCLAIMER
ALL DIMENSIONS TO BE CHECKED ON SITE BY CONTRACTOR PRIOR TO CONSTRUCTION. USE WRITTEN DIMENSIONS ONLY. DO NOT SCALE. NOT FOR CONSTRUCTION UNLESS STAMPED BY CERTIFYING AUTHORITY



PROJECT
UDUC ROAD AND HINGE ROAD
HARVEY WA

SCALE 1:500

DRAWING TITLE
STANDARD DETAILS

PLAN NUMBER
20-004 801

REVISION
A